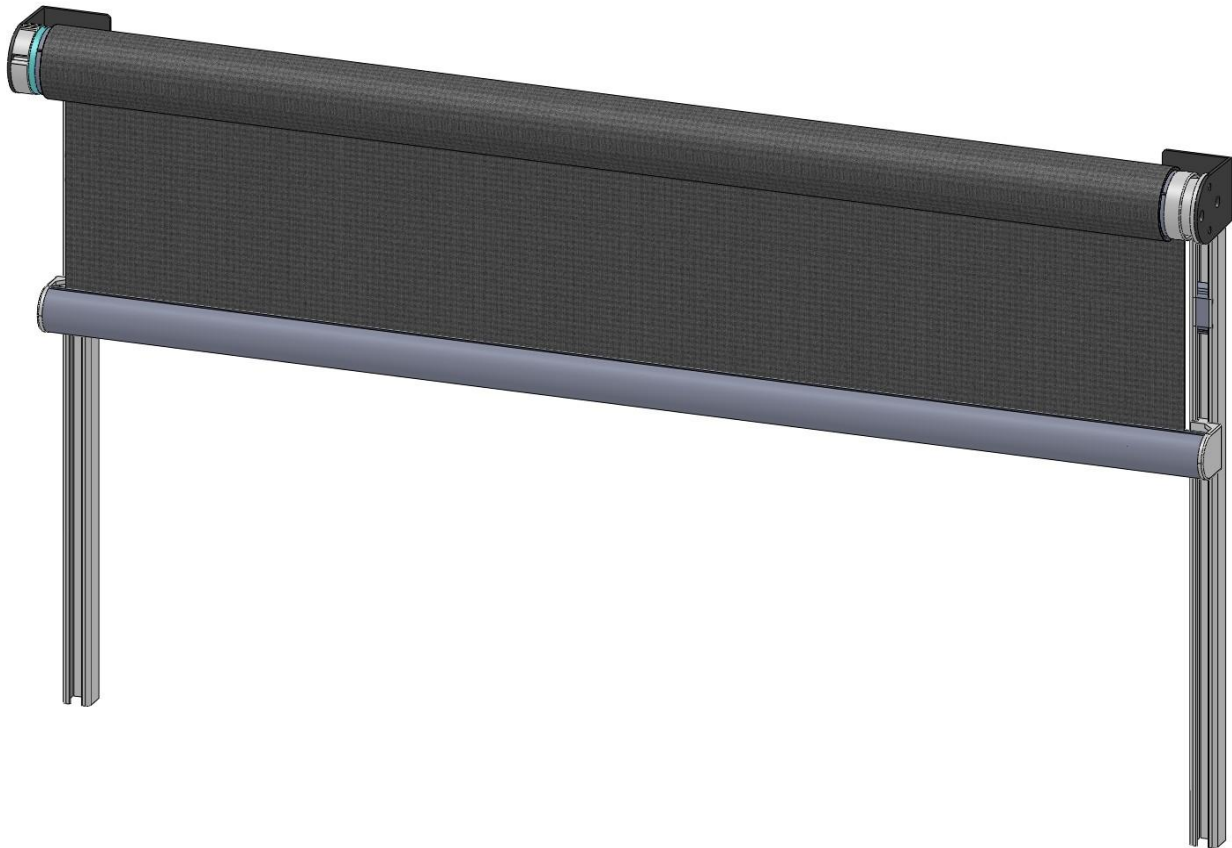
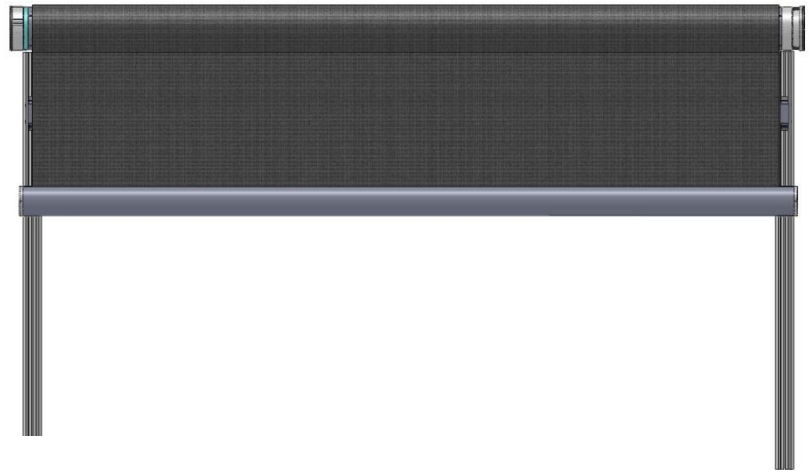
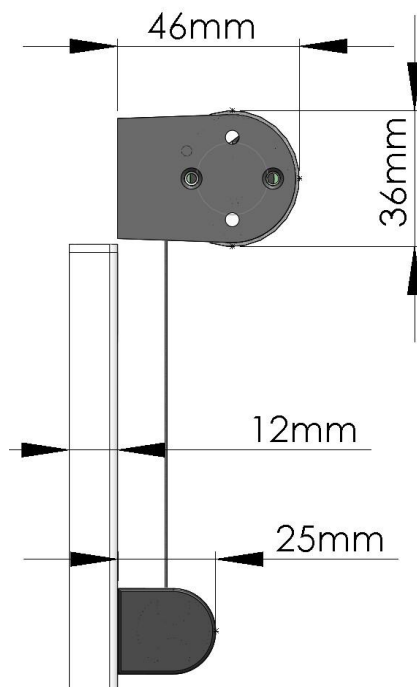
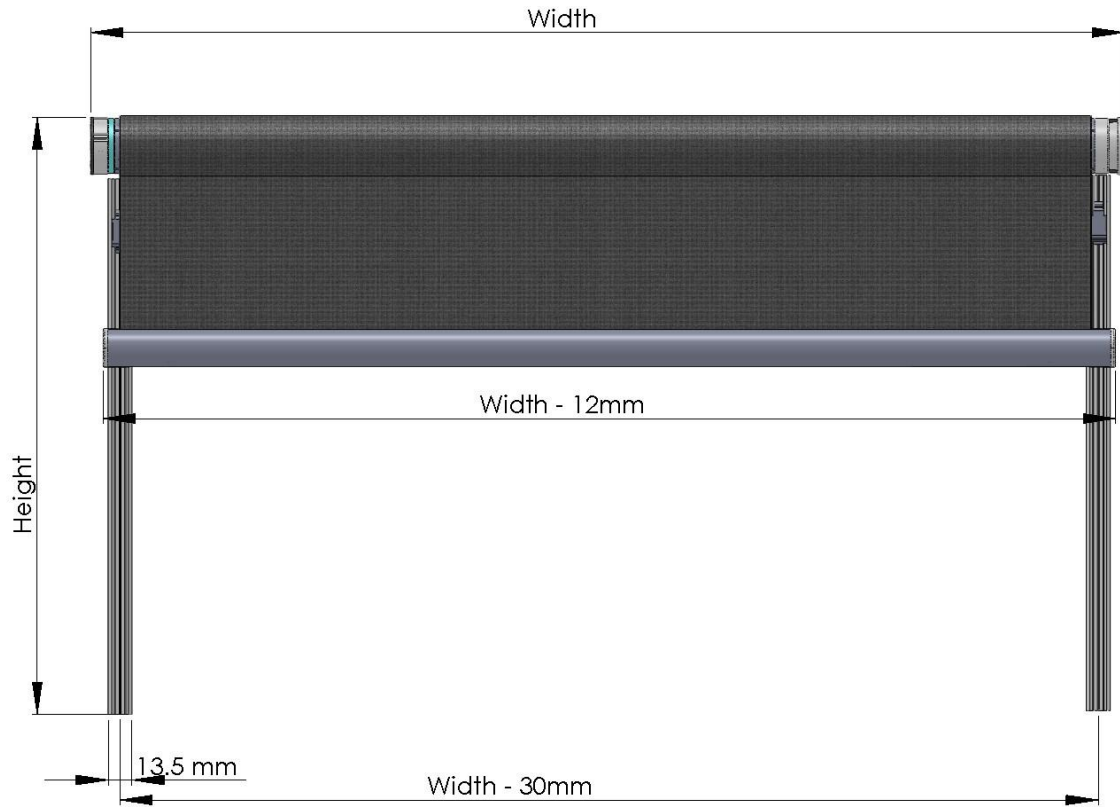


# AMS 540

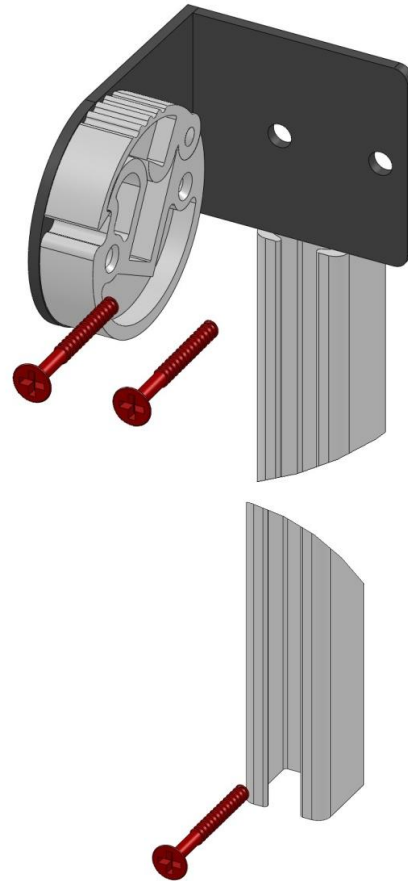
Manual Slow Rise  
Shade



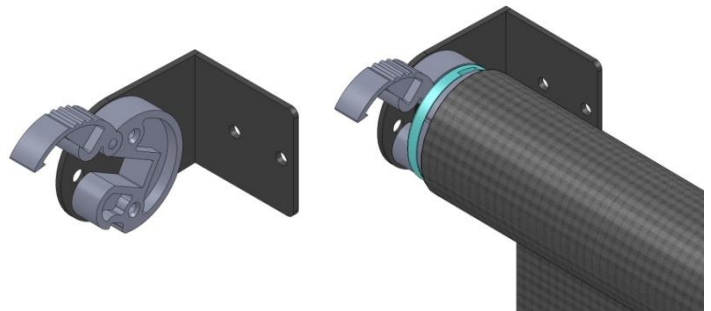
# Overall dimensions:



## Installation:



1. Use four #6 screws to attach the bracket to the wall (Ceiling mount works as well.)
2. Make sure to have minimum  $\frac{3}{4}$ " plywood
4. Open clip, insert shade and close lip firmly.



5. Insert pullbar into side channel and close side channel with lock HA-6053.
6. Test shade and make sure the pullbar moves up and down freely

