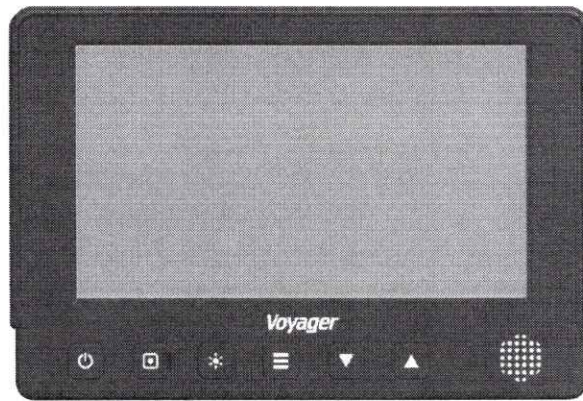


# Voyager<sup>®</sup>

## VOM719WP

### 7" COLOR TFT LCD MONITOR

#### OWNER'S MANUAL



#### VOM719WP Features

- Engineered for heavy-duty, commercial use
- Six camera triggers
- Waterproof housing (IPX6)
- Supports AMPS mounting pattern
- High-performance Automotive Grade 7" Color LCD Panel
- Four Camera Inputs
- Single/Split/Quad Display Modes
- PAL/NTSC Compatible
- DC Auto Source for Switching Triggers (Turn Signal Compatible)
- Backlight Control Buttons
- Built-in Audio Speaker
- Compatible with Voyager Wired Cameras

#### Camera Monitor Warnings!

1. Camera/monitor system aids in the use of, but does not replace vehicle side/rear-view mirrors.
2. Objects in camera/monitor view are closer than they appear. When backing up, proceed cautiously and be prepared to stop.

# VOM719WP

## **Important! - Please Read This Manual Before Installing!**

Congratulations on your purchase of a Voyager VOM719WP LCD Observation Monitor. With proper installation and use, your VOM719WP LCD is designed to provide you with years of trouble-free operation. Please read this manual thoroughly before beginning.

All Voyager Observation products are strictly intended to be installed as supplement aid to standard rear-view mirror systems that may already exist in your vehicle. Voyager Observation products are not intended for use as substitutes for rear-view mirror devices, or for any other standard motor vehicle equipment required to be installed on vehicles by law.

While Voyager observation products contribute to improving the vehicle operator's field of view, these products are no substitute for proper defensive driving techniques, observance of traffic laws, and motor vehicle safety regulations.

## **Warnings!**

**RED POWER WIRE MUST BE CONNECTED TO ACCESSORY TO AVOID CURRENT DRAW IN THE KEY OFF POSITION.**

## **Installation Location**

It is unlawful in most jurisdictions for a person to drive a motor vehicle equipped with a television viewer or screen located at any point forward of the back of the driver's seat or in any location that is visible, directly or indirectly, to the driver while operating the vehicle. The VOM719WP product is designed to be used primarily as a rear observation device in conjunction with closed circuit camera. In any installations where the VOM719WP is used to display television broadcasts or recorded video/playback installation location must adhere to local laws and regulations.

## **Tampering**

To prevent electrical shock, **DO NOT OPEN THE MONITOR CASE**. There are potentially harmful voltages inside the monitor. If evidence of tampering is detected, the warranty will be considered void and all parts will be non serviceable. There are no user serviceable parts inside the warranty will be considered void.

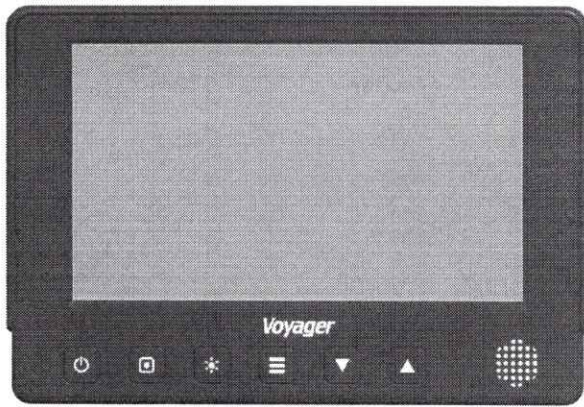
## **Moisture**

Your Voyager VOM719WP is designed to be IP66 water-resistant. Therefore it can withstand long period of exposure to moisture. This unit should NEVER be cleaned with a power washer or used where direct power washer spray may be encountered.

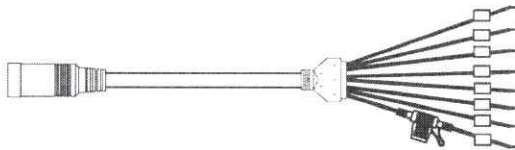
## **Depth of view**

OBJECTS VIEWED ON MONITOR ARE CLOSER THAN THEY APPEAR.

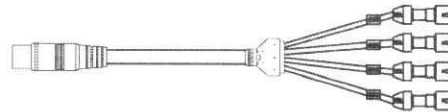
# PACKING CONTENTS



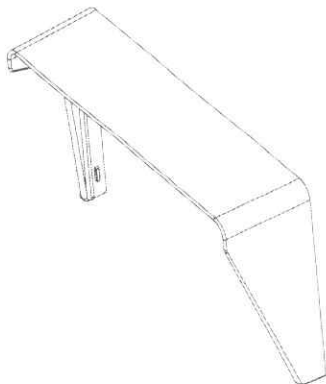
LCD MONITOR QTY.1



POWER/TRIGGER CABLE  
QTY.1



CAMERA CABLE  
QTY.1



SUNVISOR  
QTY.1

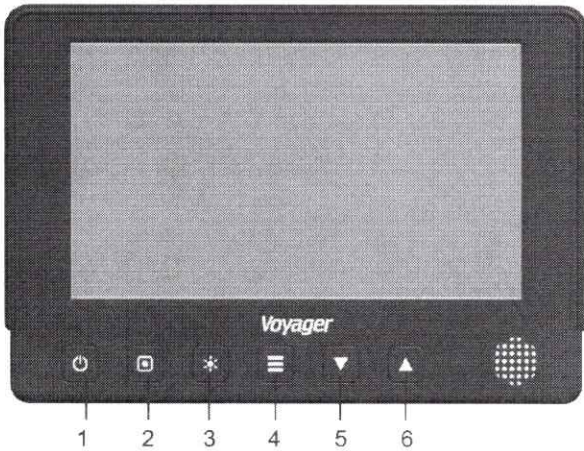


MACHINE SCREW  
QTY.12 (M4X8MM)



# VOM719WP

## CONTROLS AND OPERATION



### 1. POWER ON/OFF



-Press once to turn on unit  
 -Press again to turn off unit

### 2. CAMERA



Press to switch camera channels, switch order as below



### 3. DIMMER



Switch between DAY & NIGHT mode

### 4. MENU



Primary Function: Enter Menu

-Press to enter the menu

Secondary Function: Menu Option Selection

-When in menu mode, press to select the highlighted function or option setting

Third Function: Auto Scan

-Press button for 3s, the monitor will enter into the auto scan function

### 5&6. UP/DOWN



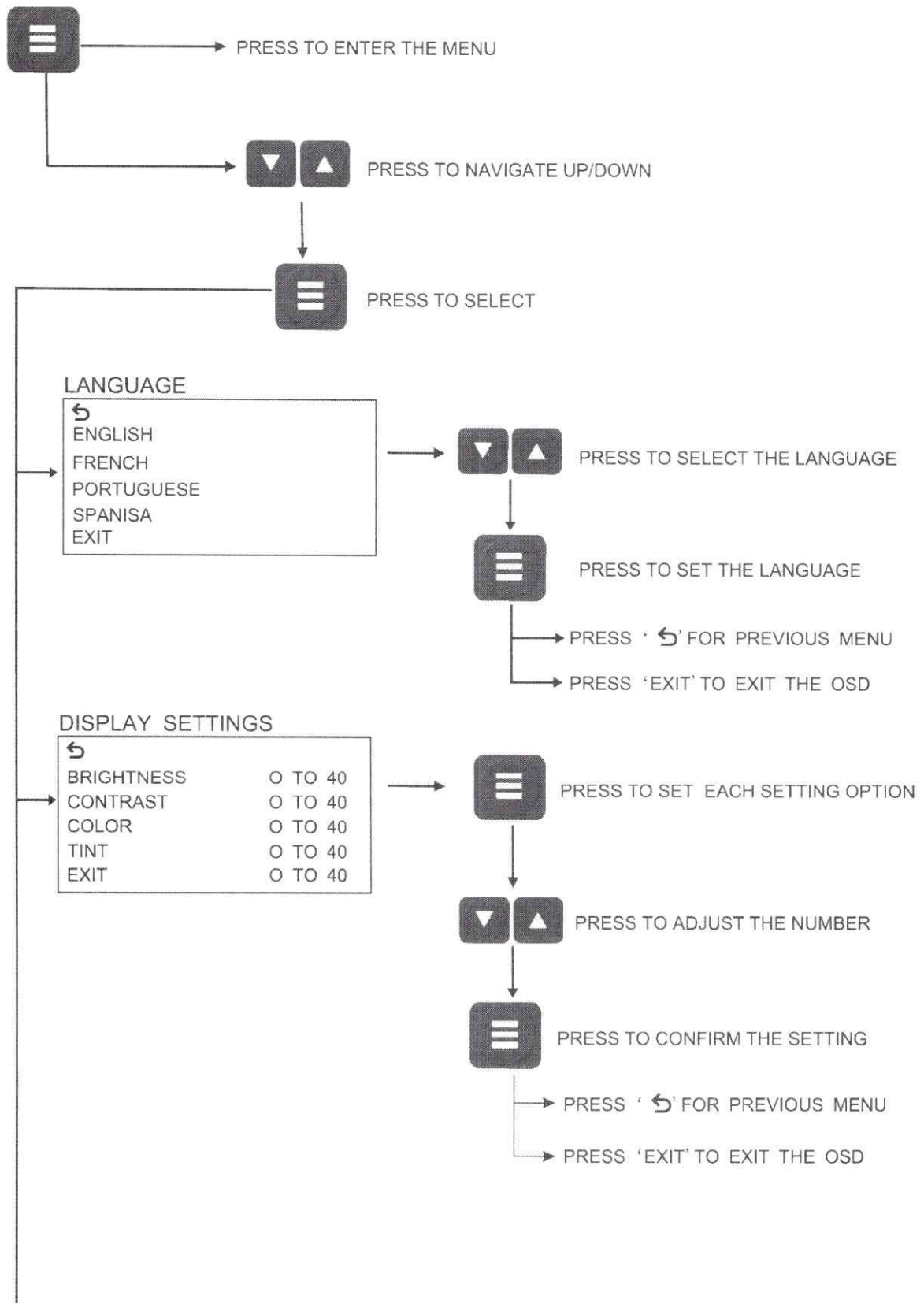
Primary Function

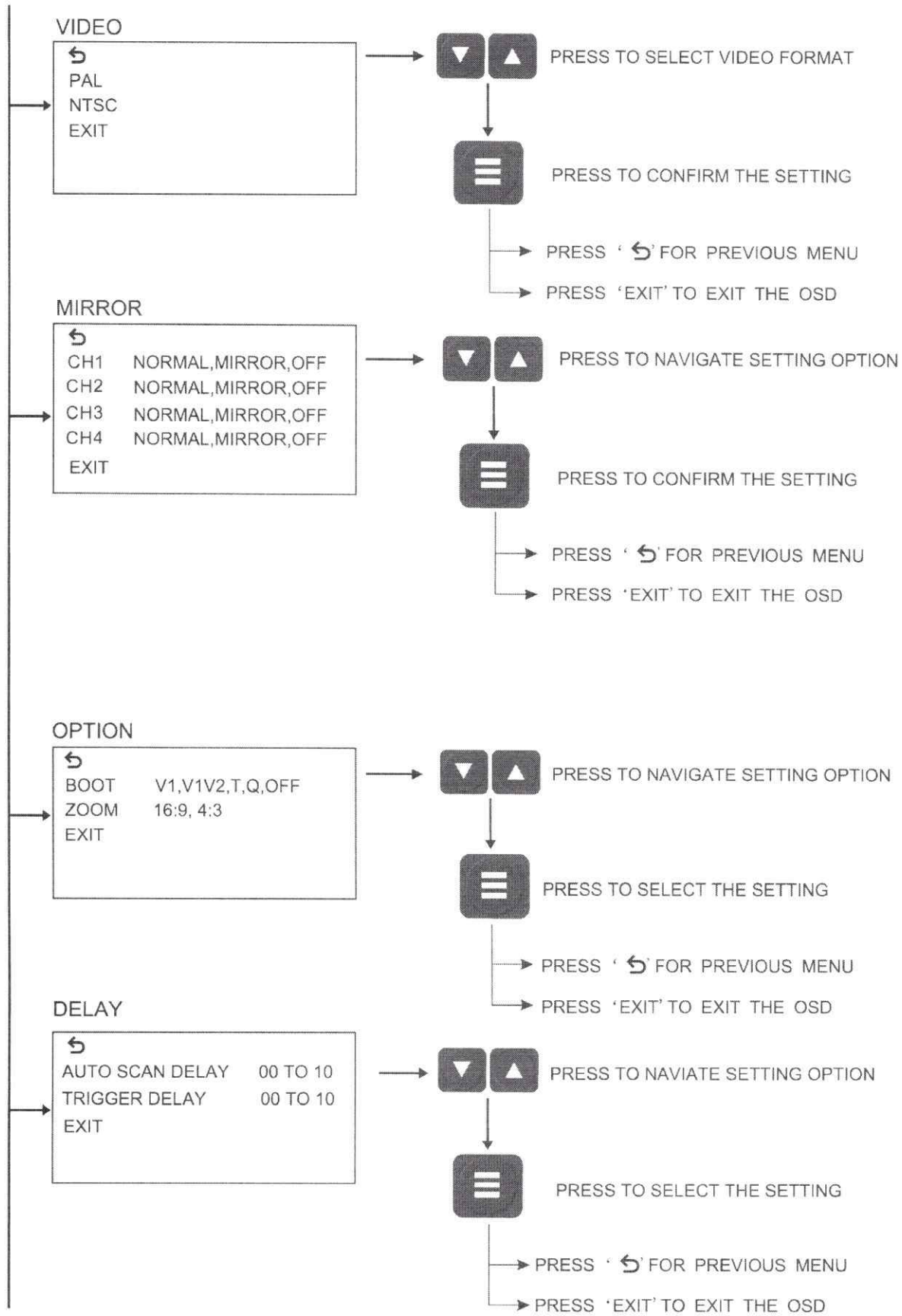
-Pressing 'UP' button increase brightness, contrast, color, tint, volume.  
 -Pressing 'DOWN' button decrease brightness, contrast, color, tint, volume.

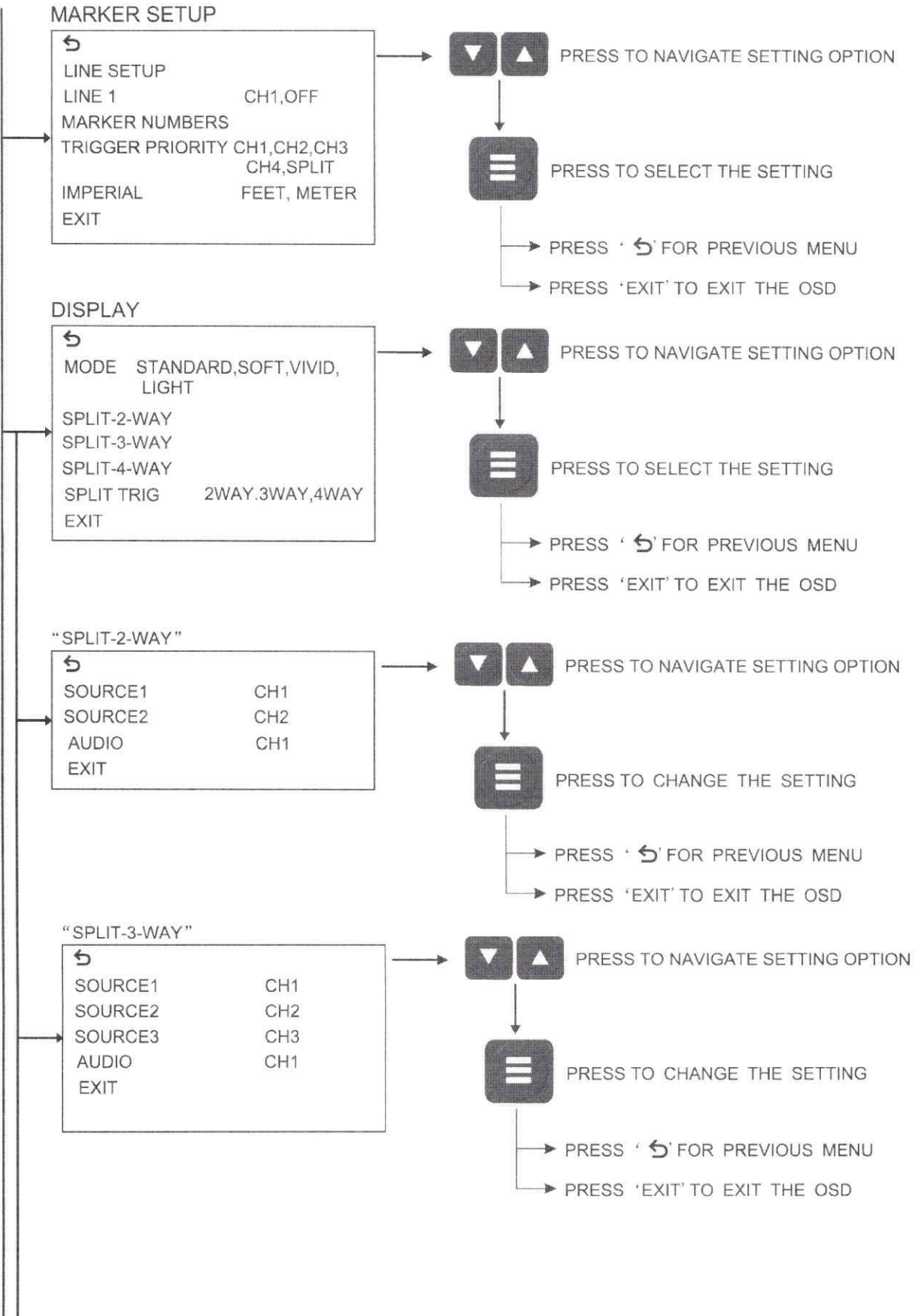
Secondary Function

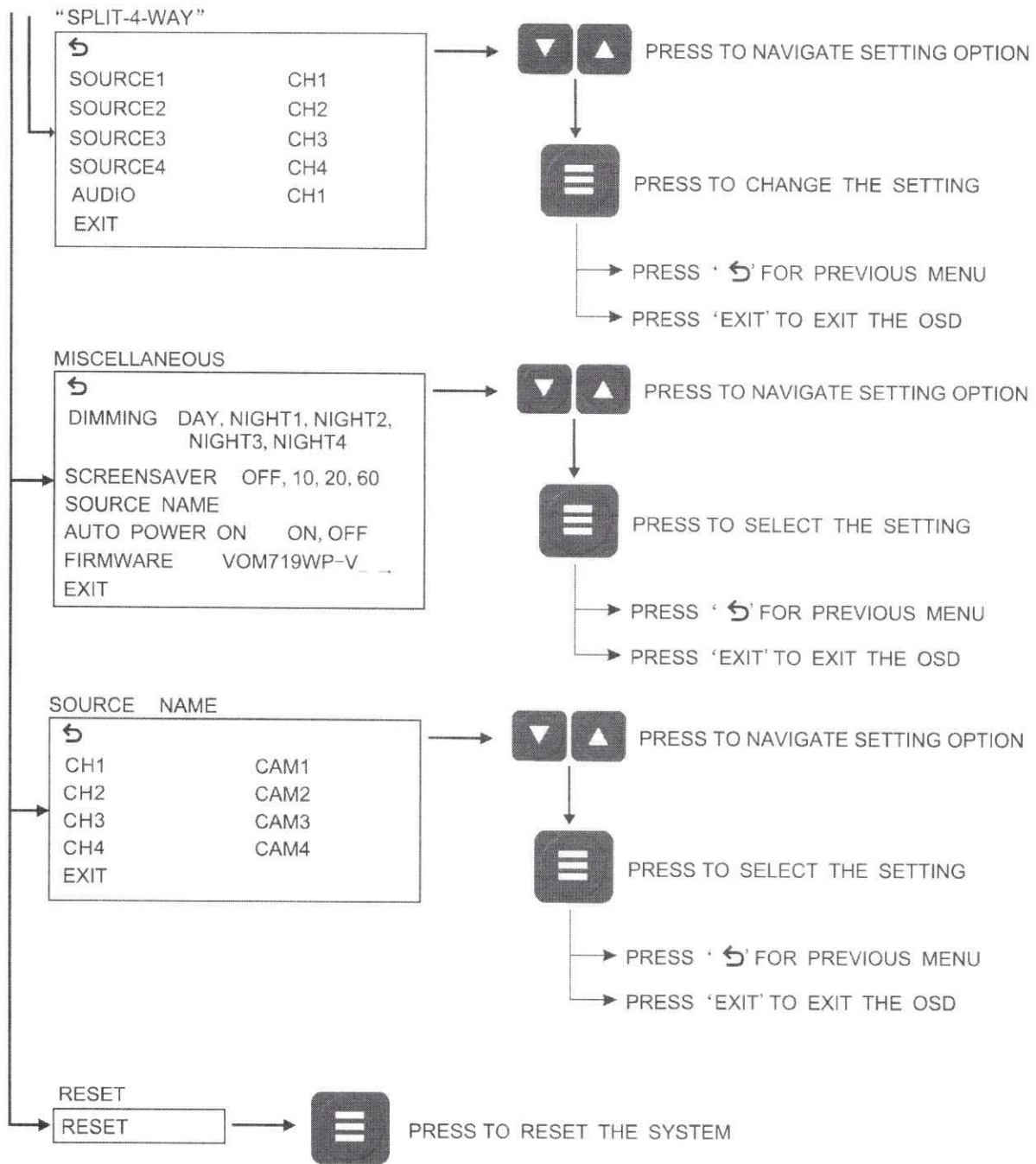
-While in menu modes, the 'UP' 'DOWN' are used to select the option setting.

# MENU











# VOM719WP

## Installation Instructions

### BEFORE YOU BEGIN INSTALLATION:

Before drilling, be sure that no cable or wiring is on the other side. Clamp all wires securely to reduce the possibility of them being damaged during installation and use. Keep all cables away from hot or moving parts and electrically noisy components.

### Wiring Definitions:

■ Power Connection:	Pin 1	POWER IN DC(12/24VDC)— RED
	Pin 2	GROUND— Black
	Pin 3	CHANNEL 1 TRIGGER— Blue
	Pin 4	CHANNEL 2 TRIGGER— Brown
	Pin 5	CHANNEL 3 TRIGGER— Green
	Pin 6	CHANNEL 4 TRIGGER— Orange
	Pin 7	AUDIO TRIGGER— White
	Pin 8	SPLIT TRIGGER— Yellow
■ Camera 1 Input:	4-Pin	Connection for camera or camera extension cable
■ Camera 2 Input:	4-Pin	Connection for camera or camera extension cable
■ Camera 3 Input:	4-Pin	Connection for camera or camera extension cable
■ Camera 4 Input:	4-Pin	Connection for camera or camera extension cable

### General:

1. Choose the monitor and camera locations.
2. Install all required cables in vehicle. A 3/4"(19mm) hole should be drilled for passing camera cables through vehicle walls, barriers, etc.  
Install split grommets where applicable. If additional cable protection is required, install convoluted tubing over the cable.
3. After cable/wiring has been routed and components are in place, temporarily make all system connections and perform a system function check. If the system does not operate properly, see the troubleshooting section.
4. Make sure all cables are routed away from hot or moving parts and away from sharp edges. Secure cables with wire ties.

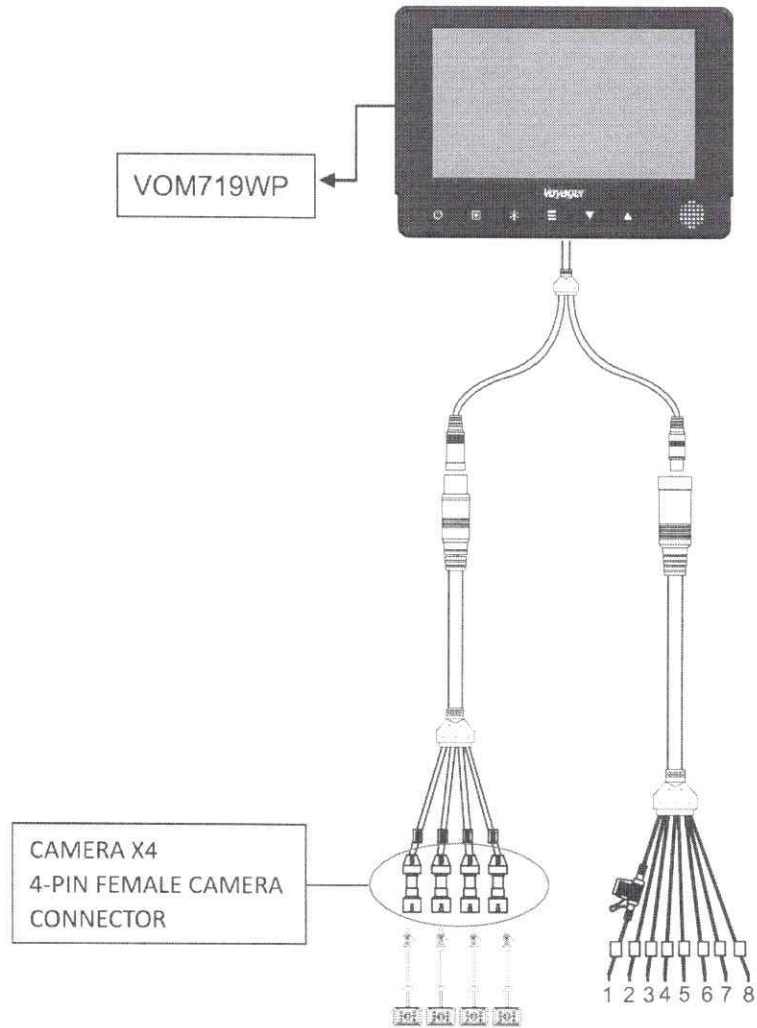
### Backup (Rear) Camera

- Rear-mounted cameras used for monitoring while backing up should be connected to the Camera 1 input. If the rear camera image is desired to be displayed automatically when in reverse gear, channel 1 trigger should be connected to the reverse gear light circuit in the vehicle.

### Side Camera

- If side monitoring cameras are installed, they should be connected to either Camera 2 or Camera 3 input. If side camera image is desired to be displayed when changing lanes, triggers 2 and 3 should be connected to the vehicle's turn signal.

## TYPICAL SYSTEM CONNECTION



### POWER/TRIGGER WIRE FUNCTIONS

REF#	WIRE COLOR	DESCRIPTION
1	RED	POWER IN 12-24V DC
2	BLACK	GND
3	BLUE	TRIGGER1 (CAM1)
4	BROWN	TRIGGER2 (CAM2)
5	GREEN	TRIGGER3 (CAM3)
6	ORANGE	TRIGGER4 (CAM4)
7	WHITE	AUDIO TRIGGER
8	YELLOW	SPLIT TRIGGER

# VOM719WP

## PRODUCT SPECIFICATIONS

### LCD PANEL SPECIFICATIONS

<b>Size/Type</b>	7"(Digital) TFT LCD	
<b>Brightness</b>	400 cd/m' (typ)	
<b>Contrast Ratio</b>	500	
<b>View Angle (CR ≥10)</b>	Top (12 O'clock)	40° (typ)
	Bottom (6 O'clock)	60° (typ)
	Horizontal	60° (typ)
<b>Response Time</b>	10ms	
	20ms	
<b>Back Light Type</b>	LED	
<b>Back Light Life</b>	50,000 hrs (min)	

- **Operation Temperature Range :** -20° C ~ +85° C
- **Storage Temperature Range :** -40° C ~ +85° C
- **Max Humidity :** 85%
- **Operation Voltage Range :** DC12V~24V
- **Current Draw (typical) :** 337mA@12VDC
- **Signal system :** NTSC or PAL (Auto detection)
- **Video      Aspect Ratio :** 16 : 9  
**Input Level:** 1Vp-p 75Ω
- **Audio      Input Level :** 150mV(Max)
- **Product Dimensions :** 7.91W x 5.35H x 1.22D (Inches)
- **Product Weight :** 3.57 lbs/1625 g

**asa**  
ELECTRONICS™

[www.asaelectronics.com](http://www.asaelectronics.com)